

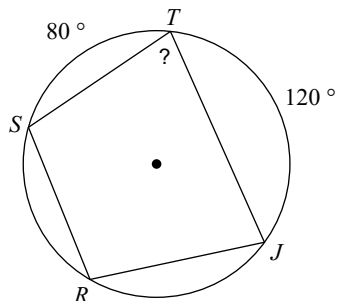
Secondary 2 Honors - Circles Unit

© 2020 Kuta Software L L C . All rights reserved .

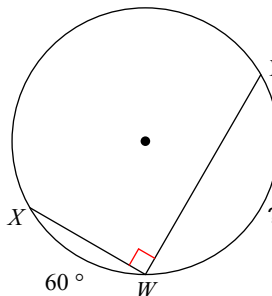
Day 2 HOMEWORK

Find the measure of the arc or central angle indicated. Assume that lines which appear to be diameters are actual diameters. Don't forget UNITS!!!

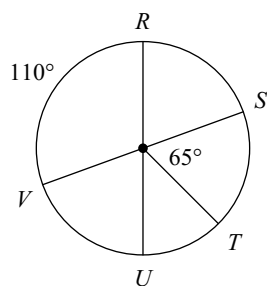
1)



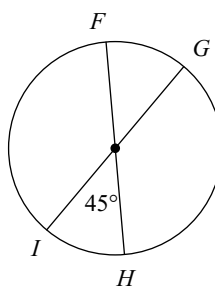
2)



3)  $m\widehat{URT}$

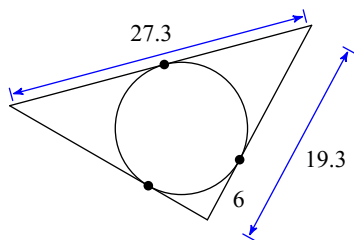


4)  $m\widehat{HIG}$

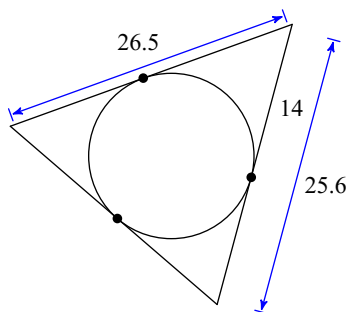


Find the perimeter of each polygon. Assume that lines which appear to be tangent are tangent. All length are in inches. REMEMBER YOUR UNITS!!!

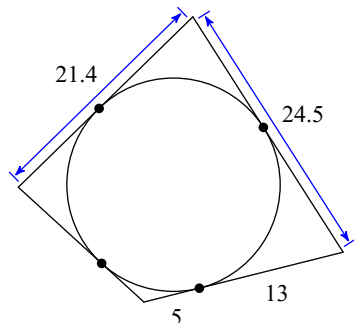
5)



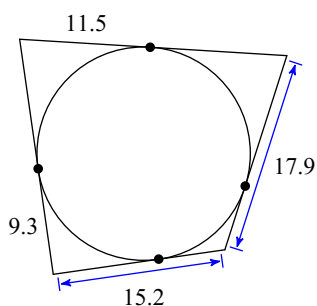
6)



7)

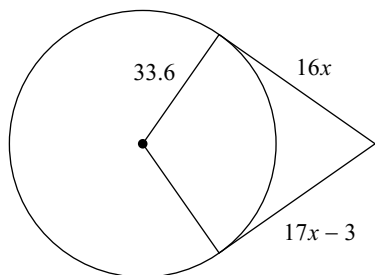


8)

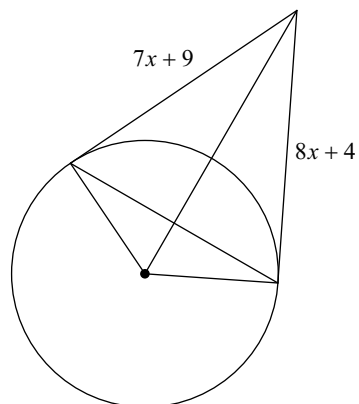


Solve for  $x$ . Assume that lines which appear to be tangent are tangent. All lengths are in cm. REMEMBER YOUR UNITS.

9)

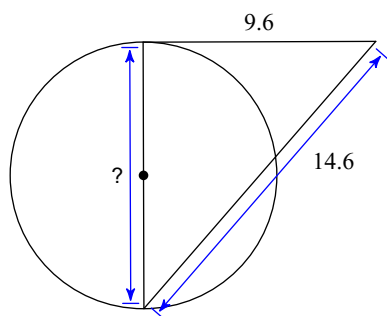


10)

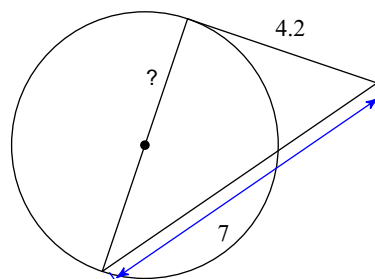


Find the segment length indicated. Assume that lines which appear to be tangent are tangent. All lengths are in yards. REMEMBER YOUR UNITS!!!

11)

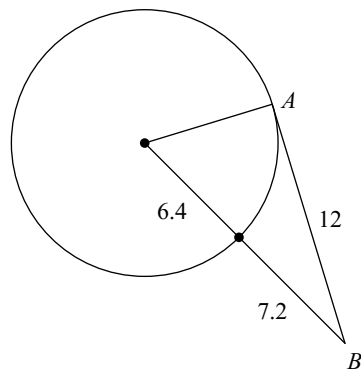


12)

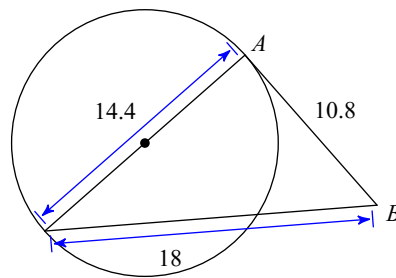


Determine if line AB is tangent to the circle. Show your work for credit.

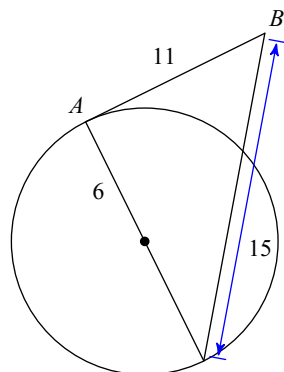
13)



14)



15)



16)

